



- [BCIS Home](#) | [Log In](#) | [User Registration](#) | [Hot Topics](#) | [Submit Surcharge](#) | [Stats & Facts](#) | [Publications](#) | [FBC Staff](#) | [BCIS Site Map](#) | [Links](#) | [Search](#)



Product Approval
USER: Public User

[License efficiently. Regulate fairly.](#) | [Product Approval Menu](#) > [Product or Application Search](#) > [Application List](#) > **Application Detail**

OFFICE OF THE SECRETARY

StormBreaker Plus Fixed expires 6-23-14

| FL # | FL228-R11 | | | | | | | | | | | | | | |
|---|--|-----------------|-------------|----------|------|----------|------|----------|------|------------------------------|------|-------------|------|-------------|------|
| Application Type | Revision | | | | | | | | | | | | | | |
| Code Version | 2010 | | | | | | | | | | | | | | |
| Application Status | Approved | | | | | | | | | | | | | | |
| | *Approved by DCA. Approvals by DCA shall be reviewed and ratified by the POC and/or the Commission if necessary. | | | | | | | | | | | | | | |
| Comments | | | | | | | | | | | | | | | |
| Archived | <input type="checkbox"/> | | | | | | | | | | | | | | |
| Product Manufacturer | Simonton Windows | | | | | | | | | | | | | | |
| Address/Phone/Email | 1 Cochrane Ave Pennsboro, WV 26415 (800) 746-6687 Ext 2329 tiffany_davies@simonton.com | | | | | | | | | | | | | | |
| Authorized Signature | Tiffany Davies tiffany_davies@simonton.com | | | | | | | | | | | | | | |
| Technical Representative | Tiffany Davies | | | | | | | | | | | | | | |
| Address/Phone/Email | PO Box 1646 5300 Briscoe Road Parkersburg, WV 26102 (800) 542-9118 Ext 9329 tiffany_davies@simonton.com | | | | | | | | | | | | | | |
| Quality Assurance Representative | AAMA | | | | | | | | | | | | | | |
| Address/Phone/Email | 1827 Walden Office Square Suite 550 Schaumburg, IL 60173 (847) 303-5664 webmaster@aamanet.org | | | | | | | | | | | | | | |
| Category | Windows | | | | | | | | | | | | | | |
| Subcategory | Fixed | | | | | | | | | | | | | | |
| Compliance Method | Certification Mark or Listing | | | | | | | | | | | | | | |
| Certification Agency | American Architectural Manufacturers Association | | | | | | | | | | | | | | |
| Validated By | American Architectural Manufacturers Association | | | | | | | | | | | | | | |
| Referenced Standard and Year (of Standard) | <table border="0" style="width: 100%;"> <thead> <tr> <th style="text-align: left;"><u>Standard</u></th> <th style="text-align: right;"><u>Year</u></th> </tr> </thead> <tbody> <tr> <td>AAMA 450</td> <td style="text-align: right;">2006</td> </tr> <tr> <td>AAMA 506</td> <td style="text-align: right;">2008</td> </tr> <tr> <td>AAMA 506</td> <td style="text-align: right;">2006</td> </tr> <tr> <td>AAMA/WDMA/CSA 101/I.S.2 A440</td> <td style="text-align: right;">2005</td> </tr> <tr> <td>ASTM E 1886</td> <td style="text-align: right;">2005</td> </tr> <tr> <td>ASTM E 1996</td> <td style="text-align: right;">2009</td> </tr> </tbody> </table> | <u>Standard</u> | <u>Year</u> | AAMA 450 | 2006 | AAMA 506 | 2008 | AAMA 506 | 2006 | AAMA/WDMA/CSA 101/I.S.2 A440 | 2005 | ASTM E 1886 | 2005 | ASTM E 1996 | 2009 |
| <u>Standard</u> | <u>Year</u> | | | | | | | | | | | | | | |
| AAMA 450 | 2006 | | | | | | | | | | | | | | |
| AAMA 506 | 2008 | | | | | | | | | | | | | | |
| AAMA 506 | 2006 | | | | | | | | | | | | | | |
| AAMA/WDMA/CSA 101/I.S.2 A440 | 2005 | | | | | | | | | | | | | | |
| ASTM E 1886 | 2005 | | | | | | | | | | | | | | |
| ASTM E 1996 | 2009 | | | | | | | | | | | | | | |
| Equivalence of Product Standards Certified By | | | | | | | | | | | | | | | |
| Product Approval Method | Method 1 Option A | | | | | | | | | | | | | | |

| | |
|---------------------------|------------|
| Date Submitted | 06/01/2012 |
| Date Validated | 06/04/2012 |
| Date Pending FBC Approval | |
| Date Approved | 06/06/2012 |

Summary of Products

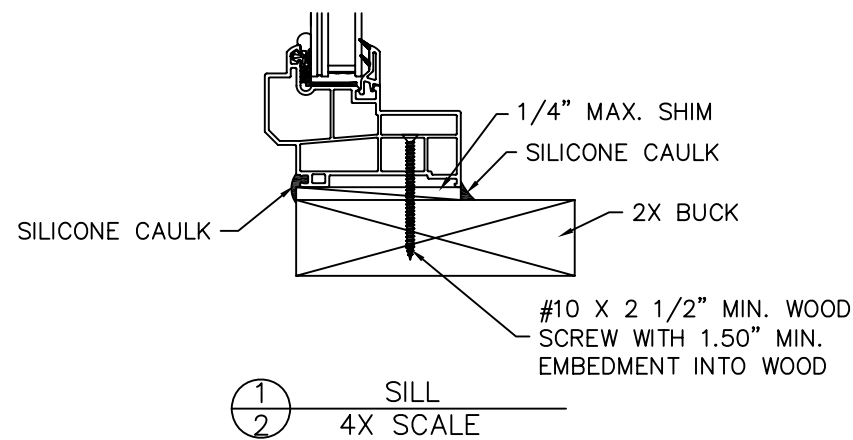
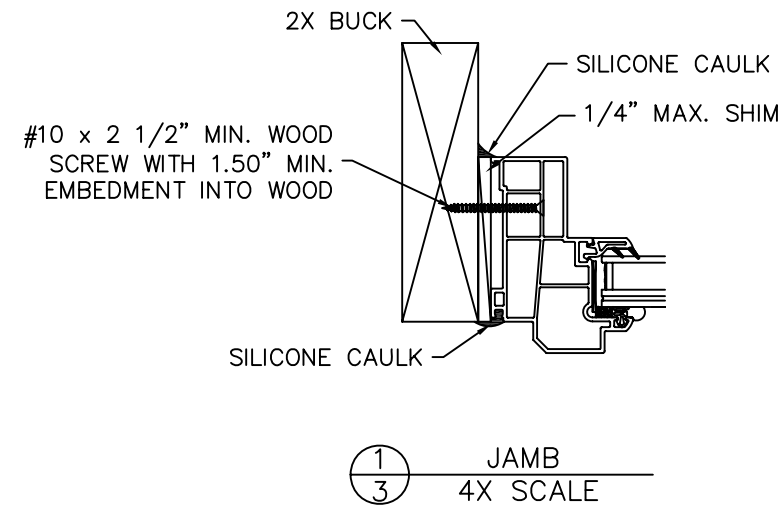
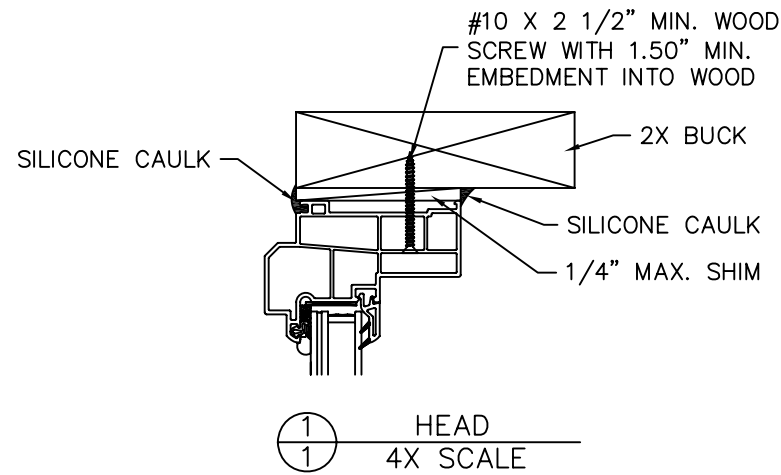
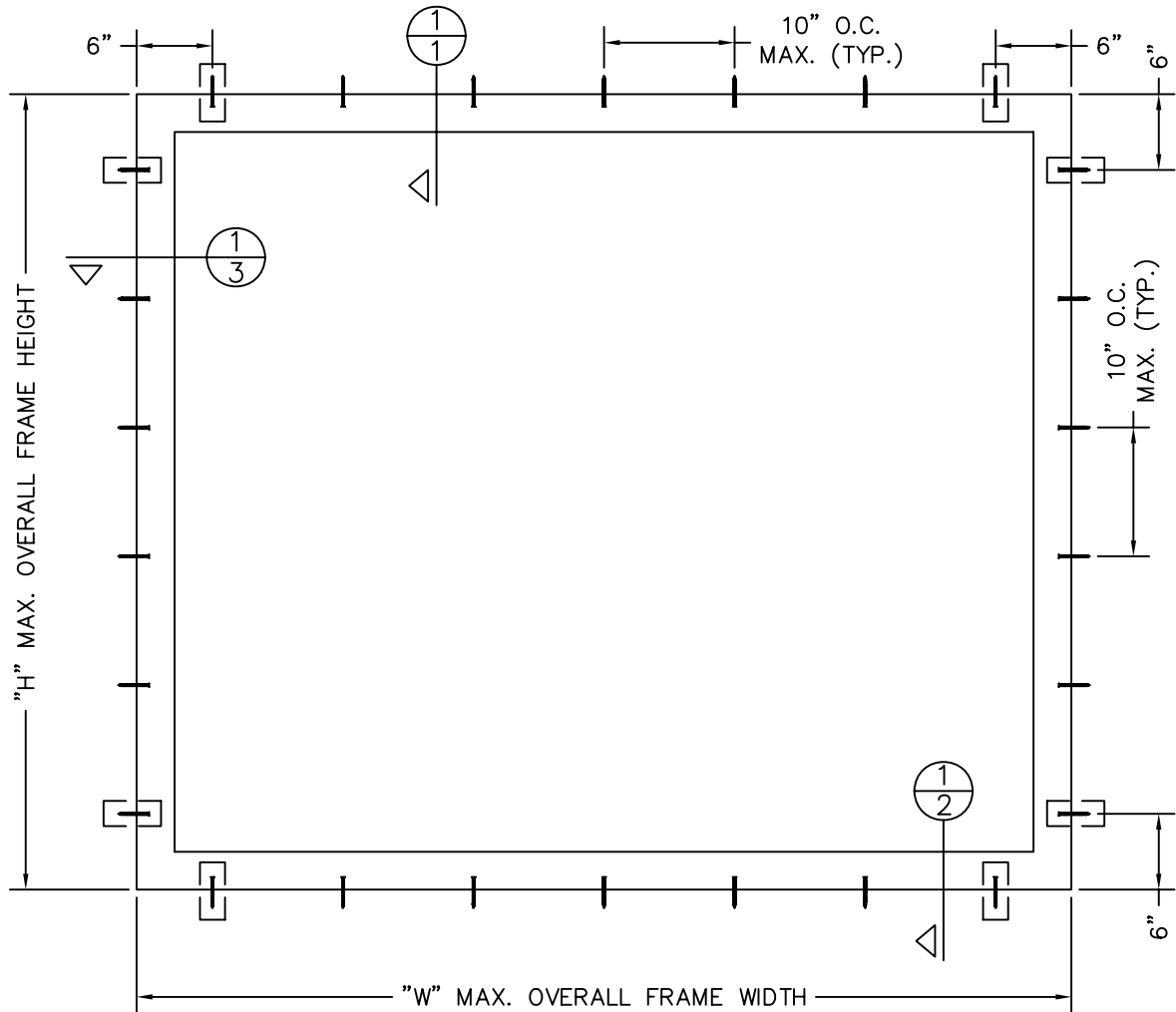
| FL # | Model, Number or Name | Description |
|--|---|--|
| 228.1 | 07-09, 07-10, 07-20 (Retrofit Installation) | StormBreaker Plus 300VL Vinyl Fixed (Picture) Window |
| Limits of Use Approved for use in HVHZ: No Approved for use outside HVHZ: Yes Impact Resistant: Yes Design Pressure: N/A Other: 37x84 (+/-50 PSF), 74x63 (+/-55 PSF) - Missile Impact Rating: D | | Certification Agency Certificate FL228_R11_C_CAC_07-10 and 07-20 to 07-09 Waiver of Retest.pdf FL228_R11_C_CAC_SIM_07-09_07-20_PW_Impact_R55_74x63_Rev_2.pdf FL228_R11_C_CAC_SIM_07-09_PW_Impact_R50_37x84_08_Rev_1.pdf Quality Assurance Contract Expiration Date 06/23/2014 Installation Instructions FL228_R11_II_IN0366_SP_PW_2X.pdf FL228_R11_II_IN0419_SP_07-09_PW_1X.pdf Verified By: American Architectural Manufacturers Association Created by Independent Third Party: Evaluation Reports Created by Independent Third Party: |
| 228.2 | 07-20 (Nailing Fin Installation) | StormBreaker Plus 300VL Vinyl Fixed (Picture) Window |
| Limits of Use Approved for use in HVHZ: No Approved for use outside HVHZ: Yes Impact Resistant: Yes Design Pressure: +55/-55 Other: 74x63 - Missile Impact Rating: D | | Certification Agency Certificate FL228_R11_C_CAC_07-09_07-20_PW_Impact_08_74x63_R55.pdf Quality Assurance Contract Expiration Date 10/01/2014 Installation Instructions FL228_R11_II_IN0517_SP_07-20_PW_2X.pdf Verified By: American Architectural Manufacturers Association Created by Independent Third Party: Evaluation Reports Created by Independent Third Party: |

MODEL DESIGNATION: Simonton Series 07-09 / 07-10 / 07-20 Vinyl Fixed Impact Window
MAXIMUM OVERALL NOMINAL SIZE: See Size Chart
DESIGN PRESSURE RATING: See Size Chart
USABLE CONFIGURATIONS: 0

GENERAL DESCRIPTION: The head, sill, and side jambs are extruded PVC. The wall thickness through which the anchor screw penetrates is a minimum of 0.070".

NO P.E. SEAL REQUIRED
 INSTALLATION SUPPORTED
 BY AAMA TEST REPORTS

| REV. # | REVISIONS: | REVISED BY: | DATE: |
|--------|---|-------------|----------|
| 1 | UPDATED NOTES, GENERAL DESCRIPTION, AND ANCHOR LOCATIONS. | T.D.D. | 02/03/10 |
| 2 | ADDED GLAZING DETAILS AND FLASHING NOTE. | T.D.D. | 02/25/11 |
| 3 | CORRECTED WINDOW SERIES PER TESTING. | T.D.D. | 05/19/11 |
| 4 | CORRECTED DESIGN PRESSURE FOR 74X63 UNIT. | T.D.D. | 06/01/11 |



| SIZE CHART | | |
|--------------|------------|-----------|
| OVERALL SIZE | | DP RATING |
| WIDTH "W" | HEIGHT "H" | |
| 37" | 84" | ±50 PSF |
| 74" | 63" | ±55 PSF |

INSTALLATION HOLE PRE-DRILLED BY MANUFACTURER

DISCLOSURE STATEMENT
 This document is the property of Simonton Windows, which retains all proprietary and other rights to its subject matter. This document is provided to the recipient on the expressed condition that it is not to be disclosed, reproduced in whole or part, nor used in conjunction with the design, manufacture or repair of goods for anyone other than Simonton Windows without its consent. This restriction does not limit the recipient's rights to utilize information contained in this document which is properly obtained from another source.

FILE: IN0366

| | |
|-------------------|-----------------|
| MATERIAL: | |
| RMS FINISH: | EXCEPT AS NOTED |
| ALLOY & TEMPER: | |
| WEIGHT: | VOLUME: |
| SURFACE AREA: | PERIMETER: |
| FINISH TREATMENT: | |

Dimensional Tolerances
 Unless Otherwise Specified

| | |
|-------------|------------|
| Decimals | Angles |
| .X ± .03 | 0° 30 min. |
| .XX ± .01 | |
| .XXX ± .005 | |

SIMONTON
 WINDOWS
 1 Cochrane Avenue
 Pennsboro, WV 26415

| | | |
|---|---------------------|-------------------|
| SIZE: B | DRAWING NO.: IN0366 | REV.: 4 |
| DRAWN BY: T.D.D. | DATE: 11/13/08 | CHECKED BY: DATE: |
| SCALE: FIT | SHEET: 1 of 2 | APPRV'D BY: DATE: |
| SERIES: 07-09 / 07-10 / 07-20 FIXED IMPACT WINDOW | | |
| TITLE: 2X BUCK INSTALLATION (AS TESTED) | | |

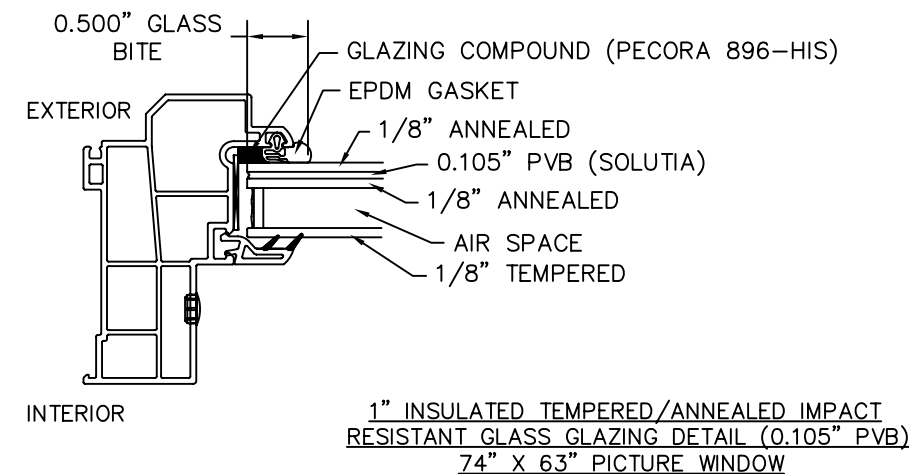
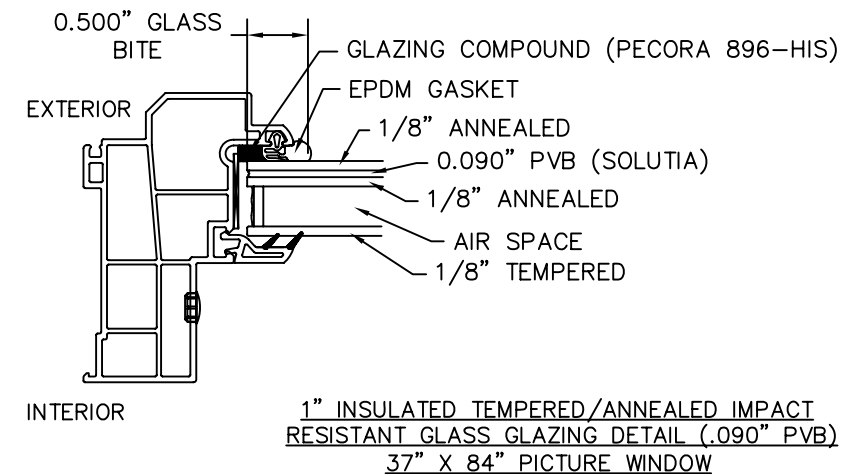
MODEL DESIGNATION: Simonton Series 07-09 / 07-10 / 07-20 Vinyl Fixed Impact Window
MAXIMUM OVERALL NOMINAL SIZE: See Size Chart
DESIGN PRESSURE RATING: See Size Chart
USABLE CONFIGURATIONS: 0

GENERAL DESCRIPTION: The head, sill, and side jambs are extruded PVC. The wall thickness through which the anchor screw penetrates is a minimum of 0.070".

| REV. #: | REVISIONS: | REVISED BY: | DATE: |
|---------|---|-------------|----------|
| 1 | UPDATED NOTES, GENERAL DESCRIPTION, AND ANCHOR LOCATIONS. | T.D.D. | 02/03/10 |
| 2 | ADDED GLAZING DETAILS AND FLASHING NOTE. | T.D.D. | 02/25/11 |
| 3 | CORRECTED WINDOW SERIES PER TESTING. | T.D.D. | 05/19/11 |
| 4 | CORRECTED DESIGN PRESSURE FOR 74X63 UNIT. | T.D.D. | 06/01/11 |

NOTES:

1. This installation has been evaluated for use in locations adhering to the Florida Building Code and where design pressure requirements as determined by ASCE 7 Minimum Design Loads for Buildings and Other Structures do not exceed the design pressure ratings listed herein.
2. All interior and exterior perimeter surfaces of the window must be caulked.
3. Anchors shall be specified and spaced as shown. Anchor embedment into base material shall be beyond wall dressing or stucco and into wood.
4. Wood bucks (by others) must be engineered and anchored properly to transfer loads to the structure.
5. The responsibility for selection of Simonton products to meet any applicable local laws, building codes, ordinances, or other safety requirements rests solely with the architect, building owner, or contractor.
6. Shims are optional. Max. shim stack is 1/4".
7. Installation screws must be a minimum of 3/4" from the edge of the wood.
8. When used in areas requiring impact protection, this product DOES NOT REQUIRE the use of impact resistant shutters or other external protection.
9. Flashing should be applied using the ASTM E 2112 methodology appropriate for the opening into which the window is being installed.
10. Glazing shall comply with ASTM E 1300-04.



| DISCLOSURE STATEMENT | |
|--|--|
| This document is the property of Simonton Windows, which retains all proprietary and other rights to its subject matter. This document is provided to the recipient on the expressed condition that it is not to be disclosed, reproduced in whole or part, nor used in conjunction with the design, manufacture or repair of goods for anyone other than Simonton Windows without its consent. This restriction does not limit the recipient's rights to utilize information contained in this document which is properly obtained from another source. | |
| FILE: IN0366 | |

| MATERIAL: | |
|-------------------|-----------------|
| RMS FINISH: | EXCEPT AS NOTED |
| ALLOY & TEMPER: | |
| WEIGHT: | VOLUME: |
| SURFACE AREA: | PERIMETER: |
| FINISH TREATMENT: | |

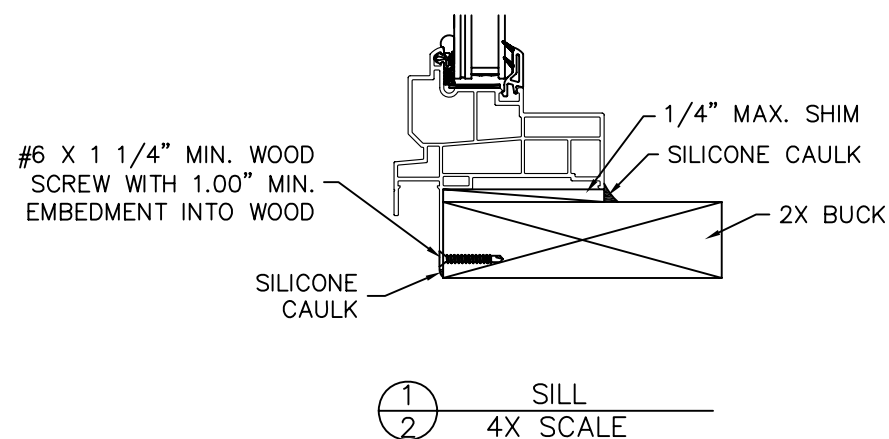
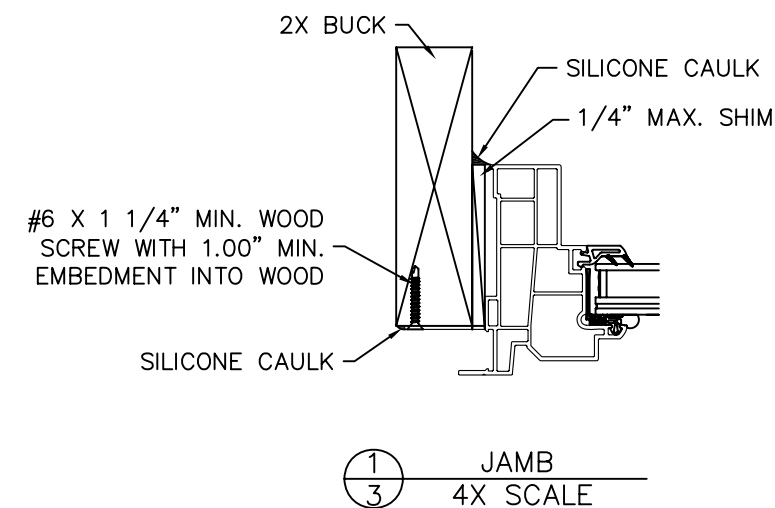
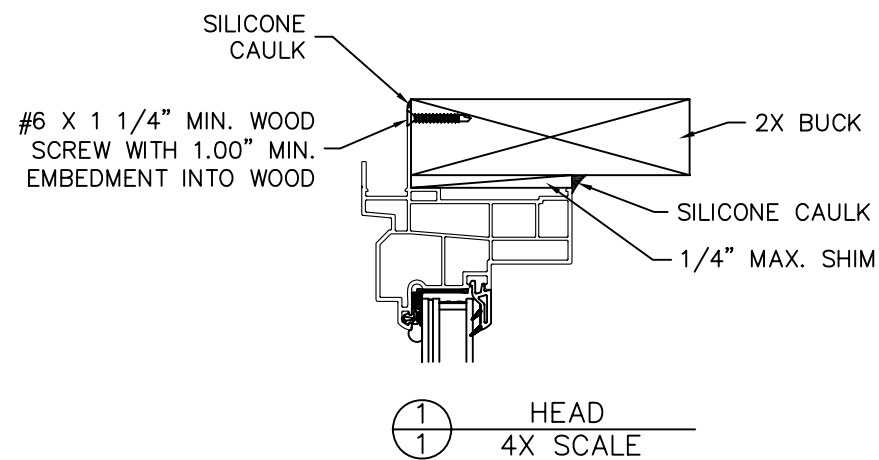
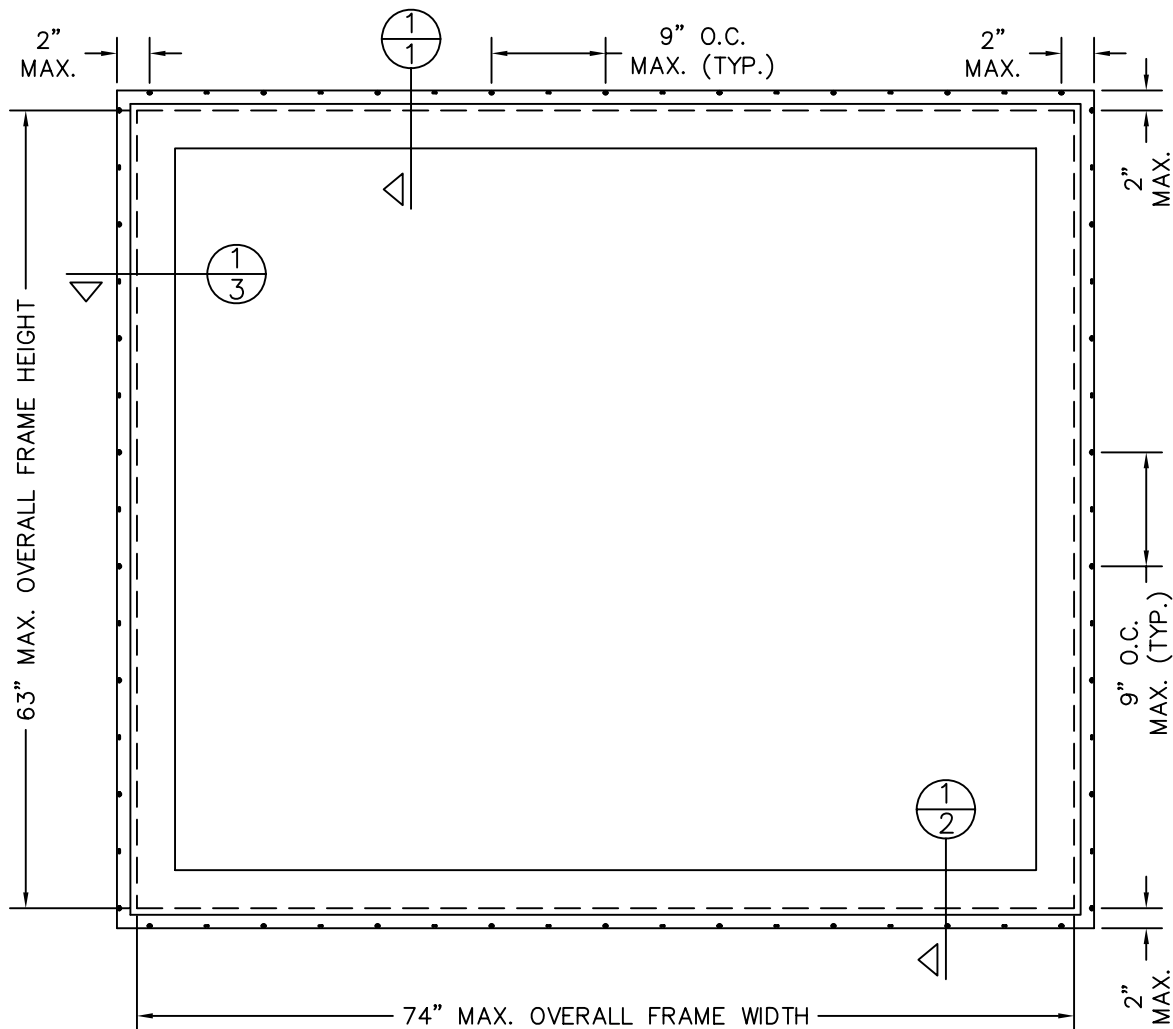
| Dimensional Tolerances Unless Otherwise Specified | |
|---|------------|
| Decimals | Angles |
| .X ± .03 | 0° 30 min. |
| .XX ± .01 | |
| .XXX ± .005 | |

| | | | |
|--|---|--------------------------------|-------------------|
| 1 Cochrane Avenue Pennsboro, WV 26415 | SIZE: B | DRAWING NO.: IN0366 | REV.: 4 |
| | SCALE: FIT | SHEET: 2 of 2 | APPRV'D BY: DATE: |
| | SERIES: 07-09 / 07-10 / 07-20 FIXED IMPACT WINDOW | TITLE: NOTES & GLAZING DETAILS | |

MODEL DESIGNATION: Simonton Series 07-20 Vinyl Impact Fixed Window
MAXIMUM OVERALL NOMINAL SIZE: Single up to 74" x 63"
DESIGN PRESSURE RATING: Positive: 55.0 PSF
 Negative: 55.0 PSF
USABLE CONFIGURATIONS: 0
GENERAL DESCRIPTION: The head, sill, and side jambs are extruded PVC. The wall thickness through which the anchor screw penetrates is a minimum of 0.070".

NO P.E. SEAL REQUIRED
 INSTALLATION SUPPORTED
 BY AAMA TEST REPORTS

| REV. # | REVISIONS: | REVISED BY: | DATE: |
|--------|--|-------------|----------|
| 1 | UPDATED NOTES. | T.D.D. | 04/12/11 |
| 2 | UPDATED GLAZING DETAILS PER NEW TESTING. | T.D.D. | 04/29/11 |
| . | . | . | . |
| . | . | . | . |
| . | . | . | . |



DISCLOSURE STATEMENT
 This document is the property of Simonton Windows, which retains all proprietary and other rights to its subject matter. This document is provided to the recipient on the expressed condition that it is not to be disclosed, reproduced in whole or part, nor used in conjunction with the design, manufacture or repair of goods for anyone other than Simonton Windows without its consent. This restriction does not limit the recipient's rights to utilize information contained in this document which is properly obtained from another source.

FILE: IN0517

| | |
|-------------------|-----------------|
| MATERIAL: | |
| RMS FINISH: | EXCEPT AS NOTED |
| ALLOY & TEMPER: | |
| WEIGHT: | VOLUME: |
| SURFACE AREA: | PERIMETER: |
| FINISH TREATMENT: | |

Dimensional Tolerances
 Unless Otherwise Specified

| | |
|-------------|------------|
| Decimals | Angles |
| .X ± .03 | 0° 30 min. |
| .XX ± .01 | |
| .XXX ± .005 | |



| | | |
|---|---------------------|-------------------|
| SIZE: B | DRAWING NO.: IN0517 | REV.: 2 |
| DRAWN BY: T.D.D. | DATE: 03/21/11 | CHECKED BY: DATE: |
| SCALE: FIT | SHEET: 1 of 2 | APPRV'D BY: DATE: |
| SERIES: 07-20 IMPACT PICTURE (FIXED) WINDOW | | |
| TITLE: 2X BUCK INSTALLATION (AS TESTED) | | |

MODEL DESIGNATION: Simonton Series 07-20 Vinyl Impact Fixed Window

MAXIMUM OVERALL NOMINAL SIZE: Single up to 74" x 63"

DESIGN PRESSURE RATING: Positive: 55.0 PSF
Negative: 55.0 PSF

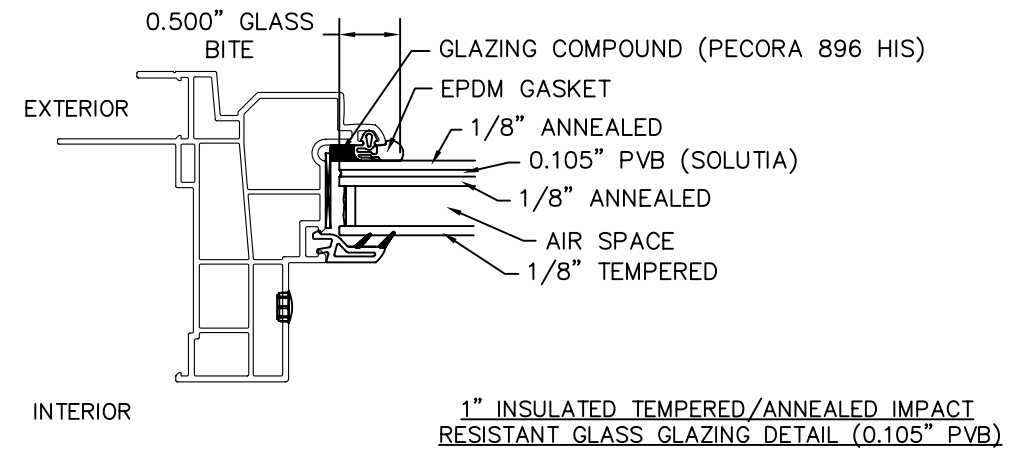
USABLE CONFIGURATIONS: 0


GENERAL DESCRIPTION: The head, sill, and side jambs are extruded PVC. The wall thickness through which the anchor screw penetrates is a minimum of 0.070".

| REV. #: | REVISIONS: | REVISED BY: | DATE: |
|---------|--|-------------|----------|
| 1 | UPDATED NOTES. | T.D.D. | 04/12/11 |
| 2 | UPDATED GLAZING DETAILS PER NEW TESTING. | T.D.D. | 04/29/11 |
| . | . | . | . |
| . | . | . | . |
| . | . | . | . |

NOTES:

1. This installation has been evaluated for use in locations adhering to the Florida Building Code and where design pressure requirements as determined by ASCE 7 Minimum Design Loads for Buildings and Other Structures do not exceed the design pressure ratings listed herein.
2. All exterior perimeter surfaces of the window must be caulked. Interior caulking is optional unless noted otherwise.
3. Anchors shall be specified and spaced as shown. Anchor embedment into base material shall be beyond wall dressing or stucco and into wood.
4. Wood bucks (by others) must be engineered and anchored properly to transfer loads to the structure.
5. The responsibility for selection of Simonton products to meet any applicable local laws, building codes, ordinances, or other safety requirements rests solely with the architect, building owner, or contractor.
6. Shims are optional. Max. shim stack is 1/4".
7. Installation screws must be a minimum of 3/4" from the edge of the wood.
8. When used in areas requiring impact protection, this product DOES NOT REQUIRE the use of impact resistant shutters or other external protection.
9. Flashing should be applied using the ASTM E 2112 methodology appropriate for the opening into which the window is being installed.
10. Glazing shall comply with ASTM E 1300-04.



| | | | | | | | |
|---|--|--|---|--|--|--|------------------|
| <p align="center">DISCLOSURE STATEMENT</p> <p>This document is the property of Simonton Windows, which retains all proprietary and other rights to its subject matter. This document is provided to the recipient on the expressed condition that it is not to be disclosed, reproduced in whole or part, nor used in conjunction with the design, manufacture or repair of goods for anyone other than Simonton Windows without its consent. This restriction does not limit the recipient's rights to utilize information contained in this document which is properly obtained from another source.</p> <p>FILE: IN0517</p> | MATERIAL: RMS FINISH: EXCEPT AS NOTED ALLOY & TEMPER: WEIGHT: VOLUME: SURFACE AREA: PERIMETER: FINISH TREATMENT: | | <p align="center">Dimensional Tolerances Unless Otherwise Specified</p> <p>Decimals Angles</p> <p>.X ± .03 .XX ± .01 .XXX ± .005</p> <p>0° 30 min.</p> |  <p>SIMONTON WINDOWS 1 Cochrane Avenue Pennsboro, WV 26415</p> | SIZE: B DRAWN BY: T.D.D. CHECKED BY: | DRAWING NO.: IN0517 DATE: 03/21/11 DATE: | REV.: 2 DATE: |
| | SCALE: FIT SHEET: 2 of 2 SERIES: 07-20 IMPACT PICTURE (FIXED) WINDOW TITLE: NOTES & GLAZING DETAILS | | | | APPR'VD BY: DATE: | | |
| | | | | | | | |
| | | | | | | | |
| | | | | | | | |