



- [BCIS Home](#) | [Log In](#) | [User Registration](#) | [Hot Topics](#) | [Submit Surcharge](#) | [Stats & Facts](#) | [Publications](#) | [FBC Staff](#) | [BCIS Site Map](#) | [Links](#) | [Search](#)



**Product Approval**  
USER: Public User

License efficiently. Regulate fairly.  
OFFICE OF THE SECRETARY

[Product Approval Menu](#) > [Product or Application Search](#) > [Application List](#) > **Application Detail**

## StormBreaker Plus 2-Lite Slider expires 4-20-15

FL #	FL10160-R4										
Application Type	Revision										
Code Version	2010										
Application Status	Approved *Approved by DCA. Approvals by DCA shall be reviewed and ratified by the POC and/or the Commission if necessary.										
Comments											
Archived	<input type="checkbox"/>										
Product Manufacturer	Simonton Windows										
Address/Phone/Email	1 Cochrane Ave Pennsboro, WV 26415 (800) 746-6687 Ext 2329 tiffany_davies@simonton.com										
Authorized Signature	Tiffany Davies tiffany_davies@simonton.com										
Technical Representative	Tiffany Davies										
Address/Phone/Email	PO Box 1646 5300 Briscoe Road Parkersburg, WV 26102 (800) 542-9118 Ext 9329 tiffany_davies@simonton.com										
Quality Assurance Representative	AAMA										
Address/Phone/Email	1827 Walden Office Square Suite 550 Schaumburg, IL 60173 (847) 303-5664 webmaster@aamanet.org										
Category	Windows										
Subcategory	Horizontal Slider										
Compliance Method	Certification Mark or Listing										
Certification Agency	American Architectural Manufacturers Association										
Validated By	American Architectural Manufacturers Association										
Referenced Standard and Year (of Standard)	<table border="0"> <thead> <tr> <th style="text-align: left;"><u>Standard</u></th> <th style="text-align: left;"><u>Year</u></th> </tr> </thead> <tbody> <tr> <td>AAMA 506</td> <td>2008</td> </tr> <tr> <td>AAMA/WDMA/CSA 101/I.S.2/A440</td> <td>2005</td> </tr> <tr> <td>ASTM E 1886</td> <td>2005</td> </tr> <tr> <td>ASTM E 1996</td> <td>2009</td> </tr> </tbody> </table>	<u>Standard</u>	<u>Year</u>	AAMA 506	2008	AAMA/WDMA/CSA 101/I.S.2/A440	2005	ASTM E 1886	2005	ASTM E 1996	2009
<u>Standard</u>	<u>Year</u>										
AAMA 506	2008										
AAMA/WDMA/CSA 101/I.S.2/A440	2005										
ASTM E 1886	2005										
ASTM E 1996	2009										
Equivalence of Product Standards Certified By											
Product Approval Method	Method 1 Option A										
Date Submitted	04/23/2012										
Date Validated	05/10/2012										

4/25/13

Florida Building Code Online

Date Pending FBC Approval

Date Approved

05/14/2012

**Summary of Products**

<b>FL #</b>	<b>Model, Number or Name</b>	<b>Description</b>
10160.1	07-09, 07-10 and 07-20	StormBreaker Plus 300VL Vinyl 2-Lite Slider
<b>Limits of Use</b> <b>Approved for use in HVHZ:</b> No <b>Approved for use outside HVHZ:</b> Yes <b>Impact Resistant:</b> Yes <b>Design Pressure:</b> +50/-50 <b>Other:</b> 73x62 - Missile Impact rating: D		<b>Certification Agency Certificate</b> <a href="#">FL10160 R4 C CAC 07-09 HS Impact 73x62 R50.pdf</a> <b>Quality Assurance Contract Expiration Date</b> 04/20/2015 <b>Installation Instructions</b> <a href="#">FL10160 R4 II IN0365 SP SL 2X.pdf</a> Verified By: American Architectural Manufacturers Association Created by Independent Third Party: <b>Evaluation Reports</b> Created by Independent Third Party:

**MODEL DESIGNATION:** Simonton Horizontal Slider Series 07-09 / 07-10 / 07-20 Vinyl Impact Window

**MAXIMUM OVERALL NOMINAL SIZE:** Single up to 73" x 62"

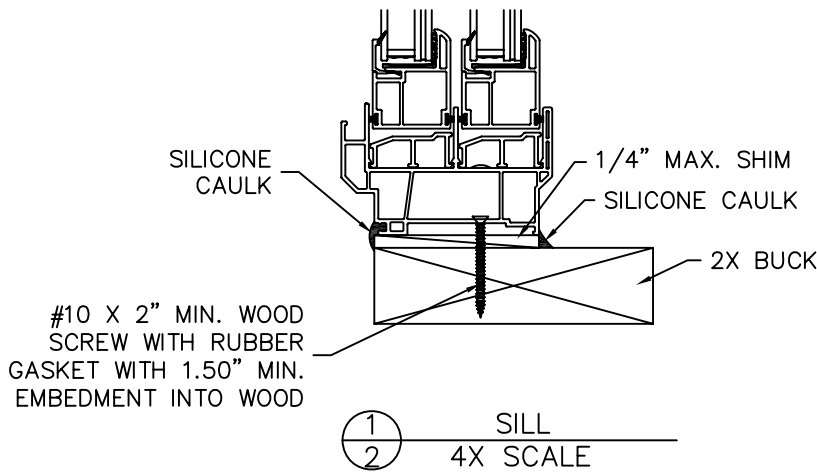
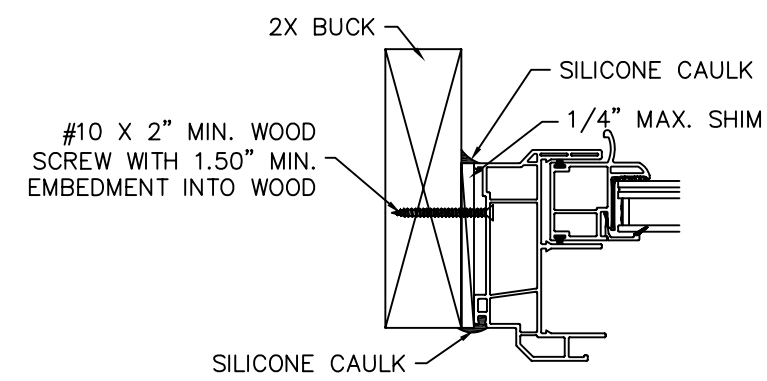
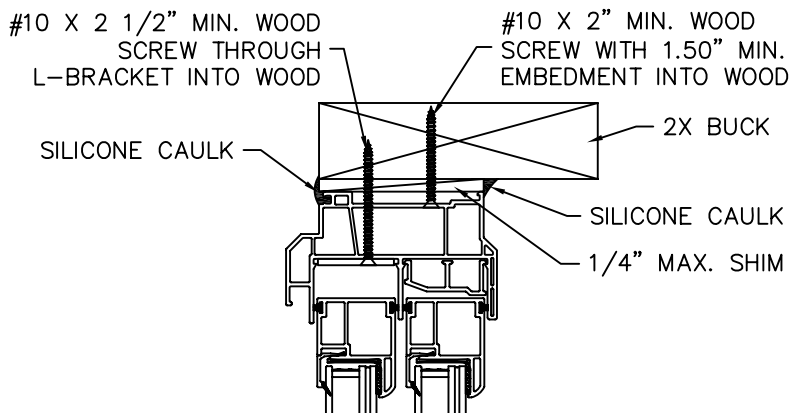
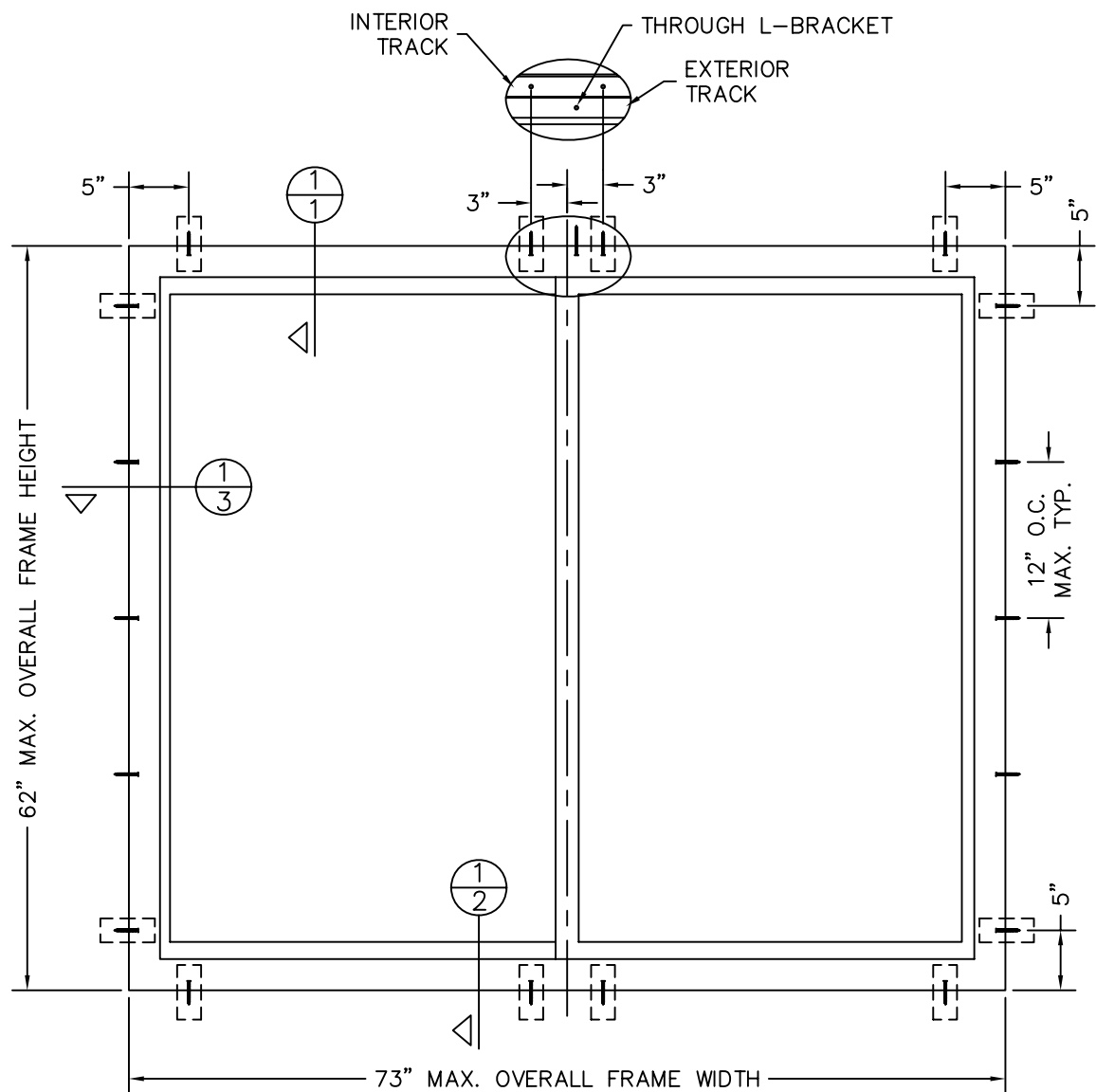
**DESIGN PRESSURE RATING:** Positive: 50.0 PSF  
Negative: 50.0 PSF

**USABLE CONFIGURATIONS:** XX

**GENERAL DESCRIPTION:** The head, sill, and side jambs are extruded PVC. The wall thickness through which the anchor screw penetrates is a minimum of 0.070".

NO P.E. SEAL REQUIRED  
INSTALLATION SUPPORTED  
BY AAMA TEST REPORTS

REV. #	REVISIONS:	REVISED BY:	DATE:
1	UPDATED NOTES AND GENERAL DESCRIPTION.	T.D.D.	10/27/10
2	ADDED DASHED BOXES FOR PRE-DRILLED INSTALLATION HOLES.	T.D.D.	11/04/10
3	ADDED GLAZING DETAILS AND FLASHING NOTE.	T.D.D.	02/25/11
4	UPDATED INSTALLATION HOLE LOCATIONS PER NEW TESTING.	T.D.D.	04/12/11
5	ADDED NOTE 10.	T.D.D.	01/05/12



--- INSTALLATION HOLE PRE-DRILLED  
--- BY MANUFACTURER

**DISCLOSURE STATEMENT**  
This document is the property of Simonton Windows, which retains all proprietary and other rights to its subject matter. This document is provided to the recipient on the expressed condition that it is not to be disclosed, reproduced in whole or part, nor used in conjunction with the design, manufacture or repair of goods for anyone other than Simonton Windows without its consent. This restriction does not limit the recipient's rights to utilize information contained in this document which is properly obtained from another source.

FILE: IN0365

**MATERIAL:**  
RMS FINISH: EXCEPT AS NOTED  
ALLOY & TEMPER:  
WEIGHT: VOLUME:  
SURFACE AREA: PERIMETER:  
FINISH TREATMENT:

**Dimensional Tolerances Unless Otherwise Specified**  
  
Decimals Angles  
.X ± .03  
.XX ± .01  
.XXX ± .005  
0° 30 min.

**SIMONTON WINDOWS**  
1 Cochrane Avenue  
Pennsboro, WV 26415

SIZE: B	DRAWING NO.: IN0365	REV.: 5
SCALE: FIT	SHEET: 1 of 2	APPRV'D BY: DATE:
SERIES: 07-09 / 07-10 / 07-20	IMPACT HORIZONTAL SLIDER	
TITLE: 2X BUCK INSTALLATION (AS TESTED)		

**MODEL DESIGNATION:** Simonton Horizontal Slider Series 07-09 / 07-10 / 07-20 Vinyl Impact Window

**MAXIMUM OVERALL NOMINAL SIZE:** Single up to 73" x 62"

**DESIGN PRESSURE RATING:** Positive: 50.0 PSF  
Negative: 50.0 PSF

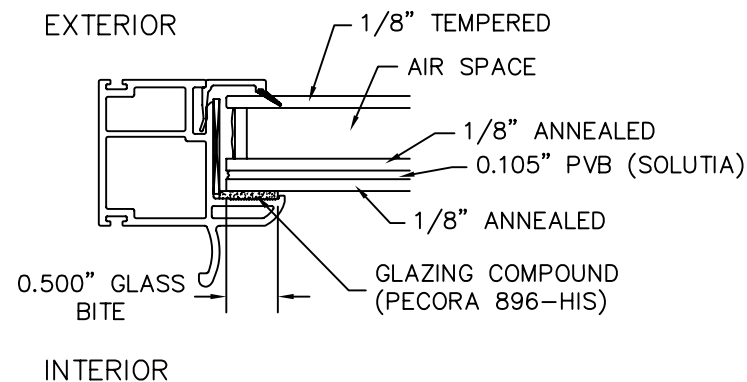
**USABLE CONFIGURATIONS:** XX

**GENERAL DESCRIPTION:** The head, sill, and side jambs are extruded PVC. The wall thickness through which the anchor screw penetrates is a minimum of 0.070".

REV. #:	REVISIONS:	REVISED BY:	DATE:
1	UPDATED NOTES AND GENERAL DESCRIPTION.	T.D.D.	10/27/10
2	ADDED DASHED BOXES FOR PRE-DRILLED INSTALLATION HOLES.	T.D.D.	11/04/10
3	ADDED GLAZING DETAILS AND FLASHING NOTE.	T.D.D.	02/25/11
4	UPDATED INSTALLATION HOLE LOCATIONS PER NEW TESTING.	T.D.D.	04/12/11
5	ADDED NOTE 10.	T.D.D.	01/05/12

**NOTES:**

1. This installation has been evaluated for use in locations adhering to the Florida Building Code and where design pressure requirements as determined by ASCE 7 Minimum Design Loads for Buildings and Other Structures do not exceed the design pressure ratings listed herein.
2. All exterior perimeter surfaces of the window must be caulked. Interior caulking is optional unless noted otherwise.
3. Anchors shall be specified and spaced as shown. Anchor embedment into base material shall be beyond wall dressing or stucco and into wood or concrete.
4. Wood bucks (by others) must be engineered and anchored properly to transfer loads to the structure.
5. The responsibility for selection of Simonton products to meet any applicable local laws, building codes, ordinances, or other safety requirements rests solely with the architect, building owner, or contractor.
6. Shims are optional. Max. shim stack is 1/4".
7. Anchor screws must be a minimum of 3/4" from the edge of the wood.
8. When used in areas requiring impact protection, this product DOES NOT REQUIRE the use of impact resistant shutters or other external protection.
9. Flashing should be applied using the ASTM E 2112 methodology appropriate for the opening into which the window is being installed.
10. This product complies with ASTM E 1300-04.



1" INSULATED TEMPERED/ANNEALED IMPACT RESISTANT GLASS WITH 0.105" PVB INTERLAYER

<p align="center"><b>DISCLOSURE STATEMENT</b></p> <p>This document is the property of Simonton Windows, which retains all proprietary and other rights to its subject matter. This document is provided to the recipient on the expressed condition that it is not to be disclosed, reproduced in whole or part, nor used in conjunction with the design, manufacture or repair of goods for anyone other than Simonton Windows without its consent. This restriction does not limit the recipient's rights to utilize information contained in this document which is properly obtained from another source.</p> <p>FILE: IN0365</p>	<p><b>MATERIAL:</b></p>	<p align="center">Dimensional Tolerances Unless Otherwise Specified</p> <p>Decimals      Angles</p> <p>.X ± .03 .XX ± .01 .XXX ± .005</p>	<p><b>SIMONTON®</b> W I N D O W S 1 Cochrane Avenue Pennsboro, WV 26415</p>	<p>SIZE: B</p>	<p>DRAWING NO.: IN0365</p>	<p>REV.: 5</p>
	<p>RMS FINISH: EXCEPT AS NOTED</p>			<p>Decimals      Angles</p>	<p>DRAWN BY: T.D.D.</p>	<p>DATE: 11/13/08</p>
	<p>ALLOY &amp; TEMPER:</p>			<p>Decimals      Angles</p>	<p>CHECKED BY:</p>	<p>DATE:</p>
	<p>WEIGHT:      VOLUME:</p>			<p>Decimals      Angles</p>	<p>APPRV'D BY:</p>	<p>DATE:</p>
	<p>SURFACE AREA:      PERIMETER:</p>			<p>Decimals      Angles</p>	<p>SERIES: 07-09 / 07-10 / 07-20 IMPACT HORIZONTAL SLIDER</p>	<p>TITLE: NOTES &amp; GLAZING DETAILS</p>
<p>FINISH TREATMENT:</p>	<p>Decimals      Angles</p>	<p>SCALE: FIT</p>	<p>SHEET: 2 of 2</p>			